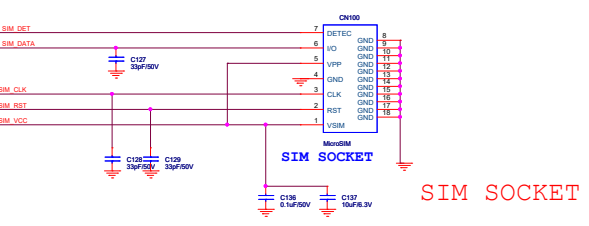
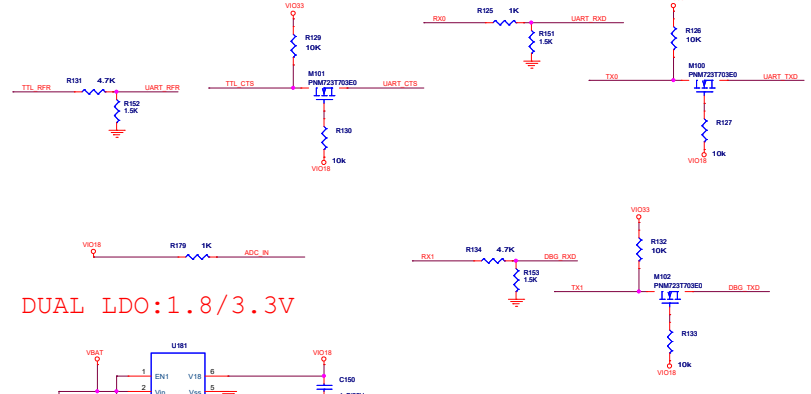


TTL LEVEL TRANSLATOR :1.8-3.3V



DUAL LDO:1.8/3.3V

